

The performance our warfighters deserve.  
The value our taxpayers demand.

# SUPERIORITY THROUGH PERFORMANCE: HPW3000

## What is ITEP?

ITEP (Improved Turbine Engine Program) is the U.S. Army's initiative to develop a 50 percent more powerful and 25 percent more fuel-efficient engine to power its Black Hawk and Apache fleets. The engine will also power whatever emerges from the Future Vertical Lift program, which is aimed at fielding a next-generation rotorcraft. ITEP presently has at least two engine suppliers competing head to head for performance and value.

## How will the Army choose a helicopter engine supplier?

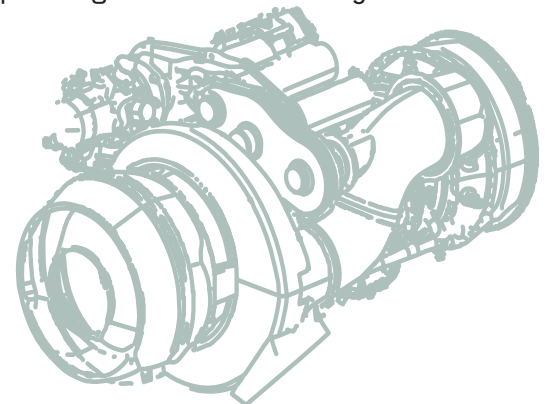
To enable a full evaluation of both performance for the warfighter and cost for the taxpayer, the Army's helicopter engine acquisition strategy, known as the Improved Turbine Engine Program (ITEP), will take two competitors in to the Preliminary Design (PD) phase. Down select to one engine company for ITEP will occur after the PD phase.

## What is ATEC?

ATEC (Advanced Turbine Engine Company) is a joint venture of Honeywell and Pratt & Whitney created in 2006, with the specific mission of providing the best new helicopter engine for the U.S. Army.

## What is the ATEC HPW3000?

The ATEC HPW3000 is the dual-spool engine that ATEC is developing for ITEP. Dual-spool engines help save more lives and protect our troops. Dual-spool means an engine has two rotating turbine compressor assemblies instead of just one. The use of two spools delivers better dependability, greater fuel efficiency, more power to grow and lower cost over the life of the engine compared to single-spool designs currently in use.



A JOINT VENTURE OF

**Honeywell**



**Pratt & Whitney**  
A United Technologies Company